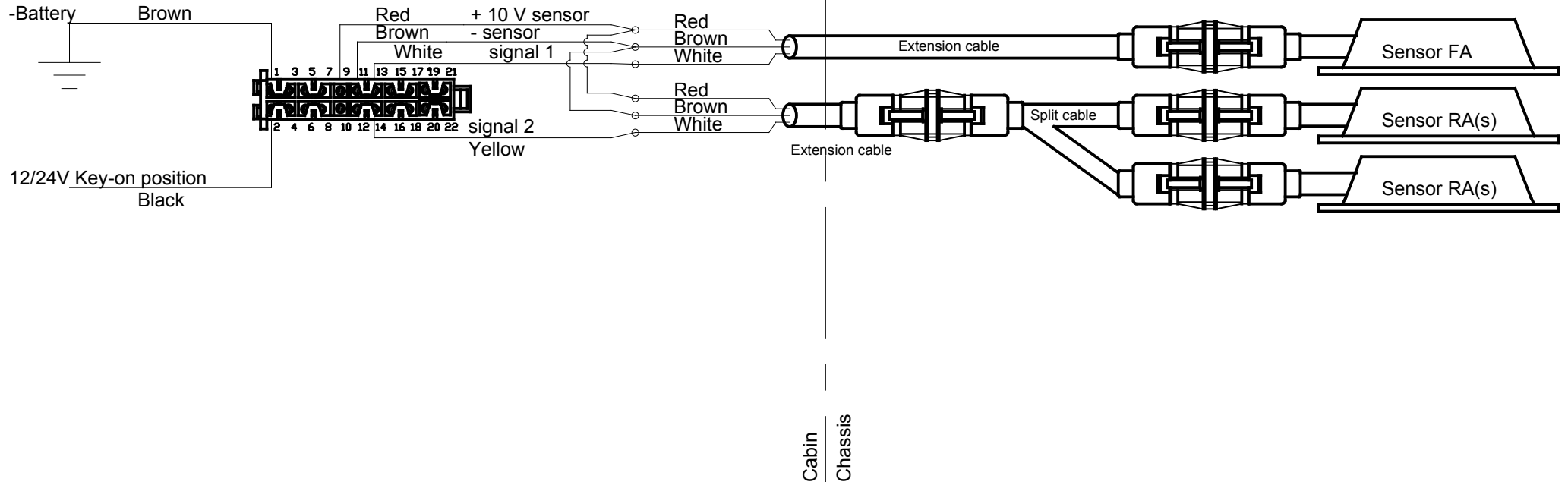
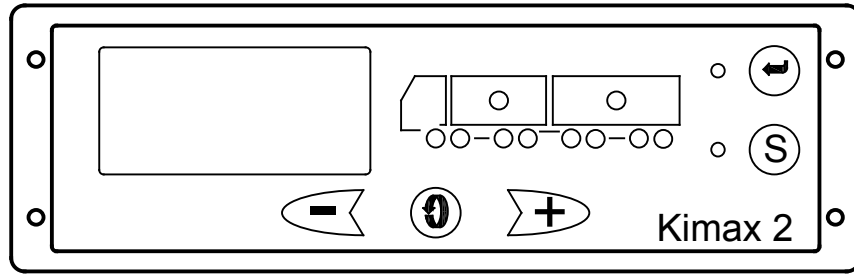


# Radio - Device 1



Date of change: -	Latest change: -	Changed by: -	Document name (pdf): DRAW_90062	Rev.no: 001
Date of creation: 3. August 2020	Subject: Wir dgm SG sensors	Material: -		
Created by: Magnus From	Part no: -	Dimension: -		
Date of approval: -	<p><b>Sense-Tech</b>                      Weighing Systems ApS                      Bygade 43 A - DK 7173 Vonge                      Tel. +45 76703001 - Fax +45 76703002                      mail@sense-tech.com - www.sense-tech.com</p>		Scale: -	Tolerance: -
Approved by: -			Page x of x: 1 af 1	