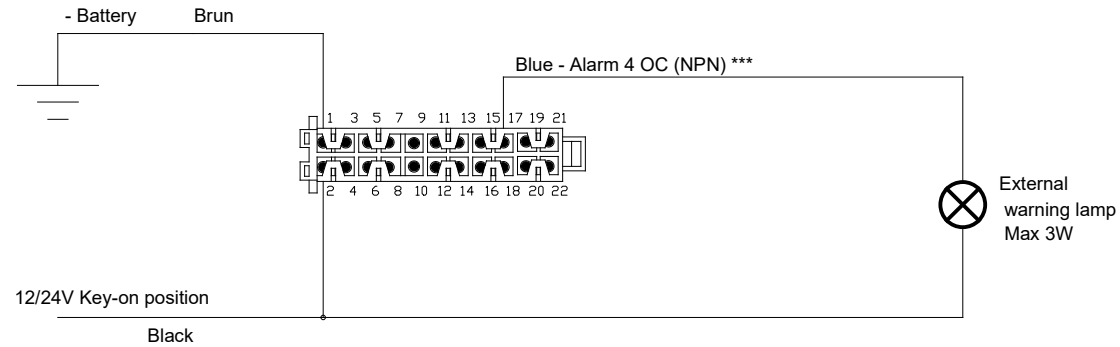
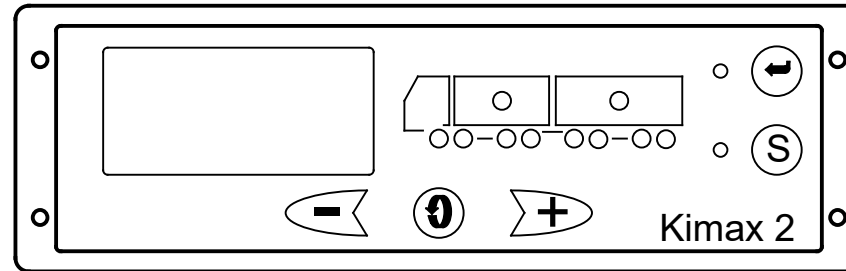
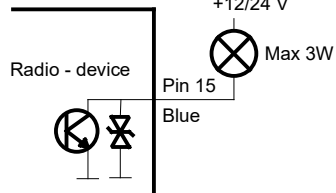


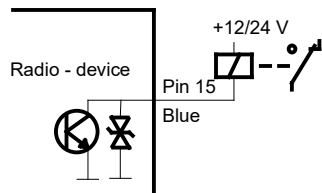
# Radio - Device 1



\*\*\* Bulb option



\*\*\* relay option



Date of change: -	Latest change: -	Changed by: -	Document name (pdf): DRAW_90081	Rev.no: 001
Date of creation: 3. August 2020	Subject: Wir dgm Alarm 4	Material: -		
Created by: Magnus From	Part no: -	Dimension: -		
Date of approval: 20. January 2022	<b>Sense-Tech</b> Weighing Systems ApS Bygade 43 A - DK 7173 Vonge Tel. +45 76703001 - Fax +45 76703002 mail@sense-tech.com - www.sense-tech.com		Scale: -	Tolerance: -
Approved by: Erik Kjærgaard			Page x of x: 1 af 1	